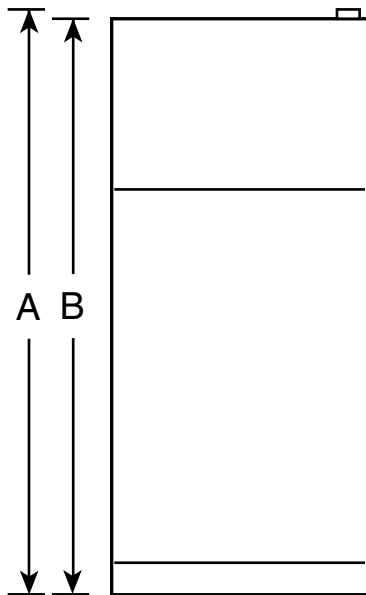


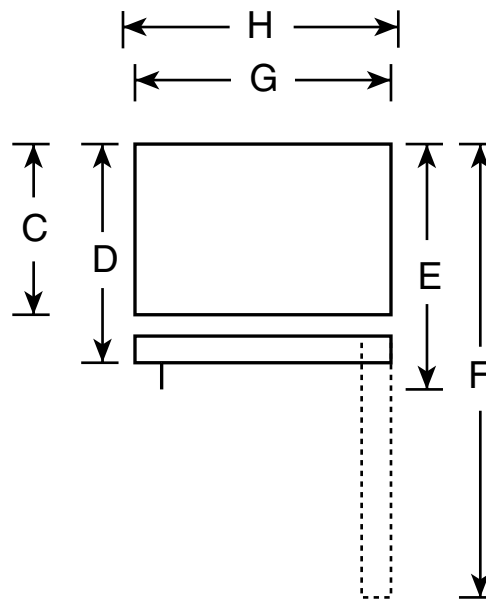
HOTPOINT®

HTH18GCT – Hotpoint® ENERGY STAR® 18.2 Cu. Ft. Top-Freezer Refrigerator

Front View



Top View



Overall Dimensions	Height to top of hinge (in.) A	67-3/8
	Height to top of case (in.) B	66-7/8
	Height to mid-freezer (in.)	57
	Case depth without door (in.) C	26-3/4
	Case depth less door handle (in.) D	30-1/2
	Case depth with door handle (in.) E	32-3/8
	Depth with fresh food door open 90° (in.) F	56-3/8
	Width (in.) G	28
Air Clearances	Width with door open 90° with door handle (in.) H	30-3/4
	Each side (in.)	3/4
	Top (in.)	1
	Back (in.)	1

Note: Before installing, consult installation instructions packed with product for current dimensional data.

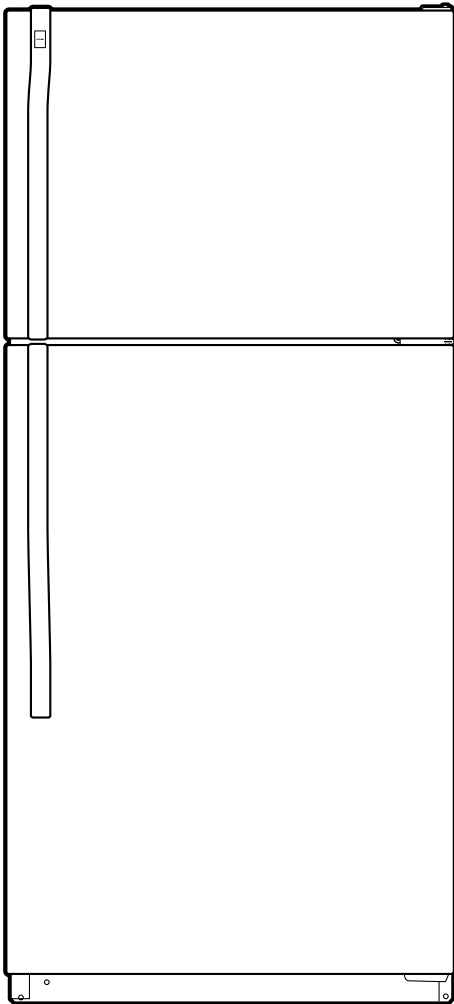
Note: All Top-Freezer No-Frost Right-Hand Refrigerator Doors: As you face the front of the refrigerator, the handle is on your left and the hinges are on your right.

All Top-Freezer No-Frost Left-Hand Refrigerator Doors: As you face the front of the refrigerator, the handle is on your right and the hinges are on your left.





HTH18GCT – Hotpoint® ENERGY STAR® 18.2 Cu. Ft. Top-Freezer Refrigerator



Features and Benefits

- Upfront temperature controls - Easy-to-use controls are located in an easy-to-reach position
- Adjustable glass shelves - Shelves adjust to handle tall items and create additional space
- Fixed gallon door shelves - Provides the ideal space for storing gallon containers in the door
- Can storage door shelf - Soft drink cans are within easy reach in the door for quick access
- Clear crisper drawers - Transparent drawers make finding your favorite snacks quick and easy
- Snack drawer - Conveniently stores favorite foods and allows for quick, easy access
- Deluxe quiet design - Designed to reduce unnecessary sounds in the kitchen
- Model HTH18GBTWW – White